

PROTOTYPE BULLETIN

FEBRUARY 2012

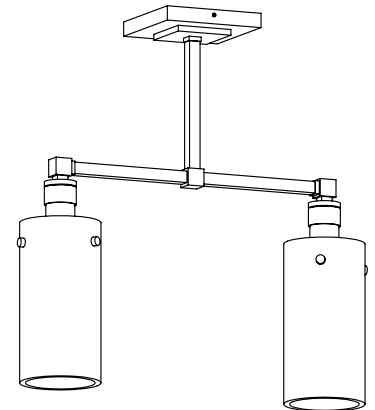
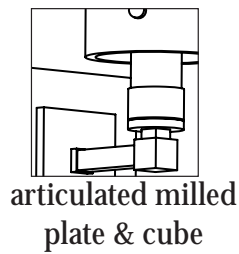
Fresh new design ideas for your next project. Contact us for pricing and specification information.

**NEW
CLASSICS**
Handmade in USA

GLASS CYLINDER SHADE SCONCE OR PENDANT W/MILLED STEP



P11266

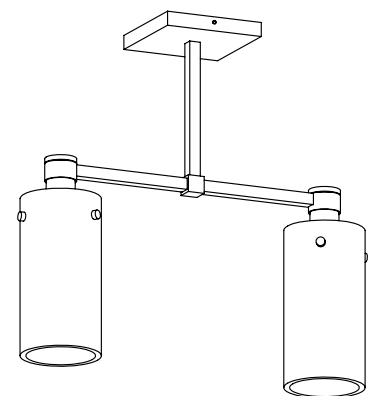
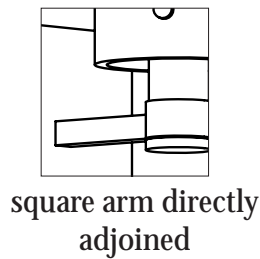


P11267

GLASS CYLINDER SHADE SCONCE OR PENDANT W/ CLEAN ARM JOINT



P11301



P11302

Other Mounts & Configurations available. Design ideas presented here are subject to change.

PROTOTYPE BULLETIN

FEBRUARY 2012

Fresh new design ideas for your next project. Contact us for pricing and specification information.

**NEW
CLASSICS**
Handmade in USA

MATERIAL CYLINDER SHADE SCONCES WITH ELECTRIC CANDLE - 2 VERSIONS



P11236



P11303

CILINDRO ALABASTER PENDANT 12" DIAM.



P11270

Other Mounts & Configurations available. Design ideas presented here are subject to change.

PROTOTYPE BULLETIN

FEBRUARY 2012

Fresh new design ideas for your next project. Contact us for pricing and specification information.

NEW CLASSICS

Handmade in USA

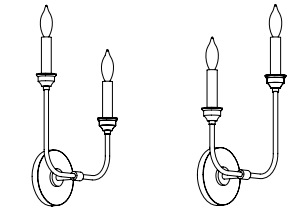
SLEEK CANDLE SCONCES



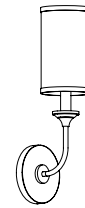
P11304



P11238

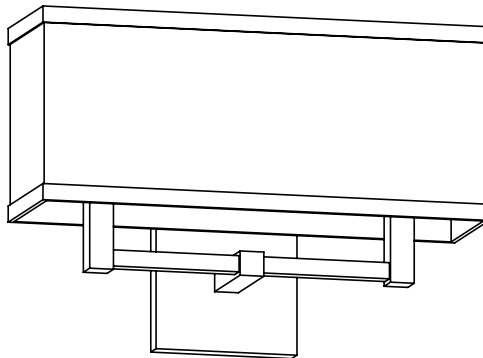


asymmetric alternatives



w/cylinder shade

TWO-LIGHT RECTANGULAR SHADE SCONCE



P11300

Other Mounts & Configurations available. Design ideas presented here are subject to change.